

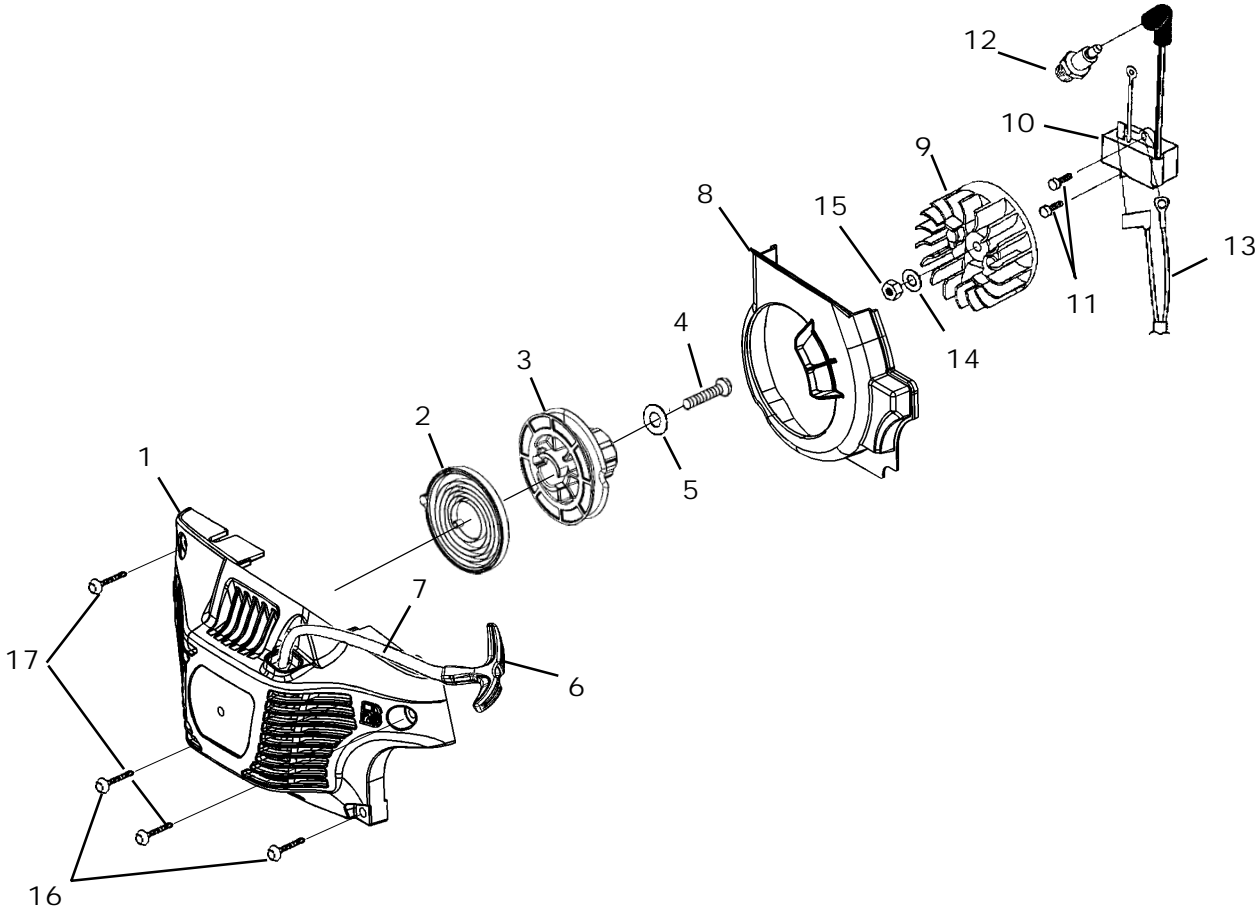
JOHN DEERE

**Chain Saw**

**PARTS LIST**

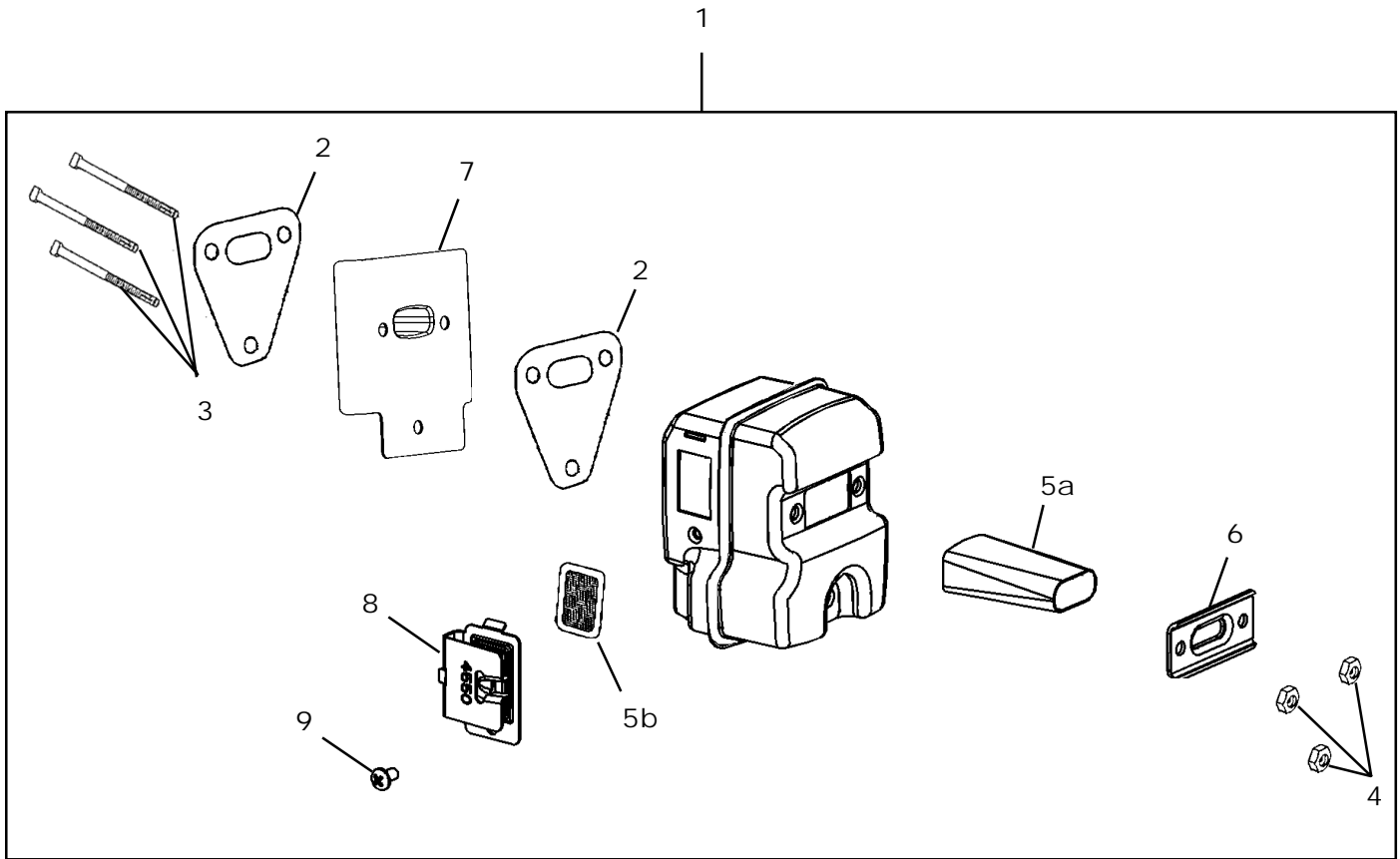
J3816  
UT10945

# STARTER - IGNITION



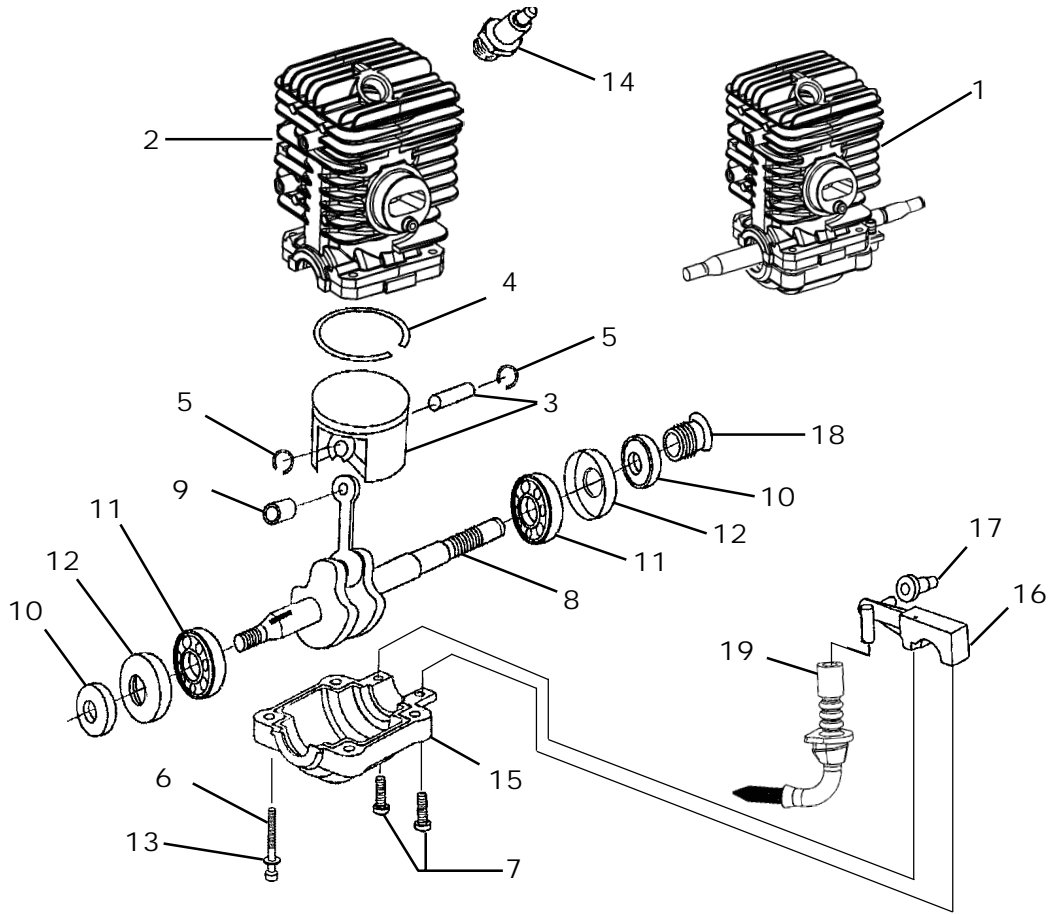
NO.	PART NO.	DESCRIPTION	QTY.
1	•UP 07873	Starter Kit	1
2	UP 07874	Spring & Container	1
3	UP 07876	Pulley, Starter	1
4	UP 04237	Screw, Thread Form (10-14 x 5/8")	1
5	UP 04089	Washer, Retaining	1
6	UP 08113	Grip, Starter	1
7	UP 03911	Rope, Starter 46"	1
8	UP 07877	Baffle, Fan Housing	1
9	UP 05850	Rotor w/ Starter Pawl	1
10	•UP 07865	Ignition Kit	1
11	UP 04086	Screw, Thread Form (8-32 x 5/8")	2
12	UP 05875	Spark Plug	1
13	UP 07866	Ignition Switch Harness	1
14	UP 04241	Washer, Flat	1
15	UP 04081	Nut, Jam	1
16	UP 04236	Screw, Truss Hd. (10-14 x 7/8")	2
17	UP 04237	Screw, Truss Hd. (10-14 x 5/8")	2
	UP 07909	Decal Kit	

# MUFFLER



NO.	PART NO.	DESCRIPTION	QTY.
1	•UP 07879	Muffler Kit	1
2	UP 04183	Muffler Gasket	2
3	UP 04049	Screw-Square Hd.	3
4	UP 04059	Nut-Locking Hex (10-32)	3
5a	UP 08108	Screen, Spark	1
5b	UP 04203	Screen, Spark (Prior to S/N MC2420000)	1
6	UP 08109	Screen Retainer	1
7	UP 07881	Plate-Muffler	1
8	UP 04169	Deflector, Muffler	1
9	UP 04244	Screw	1

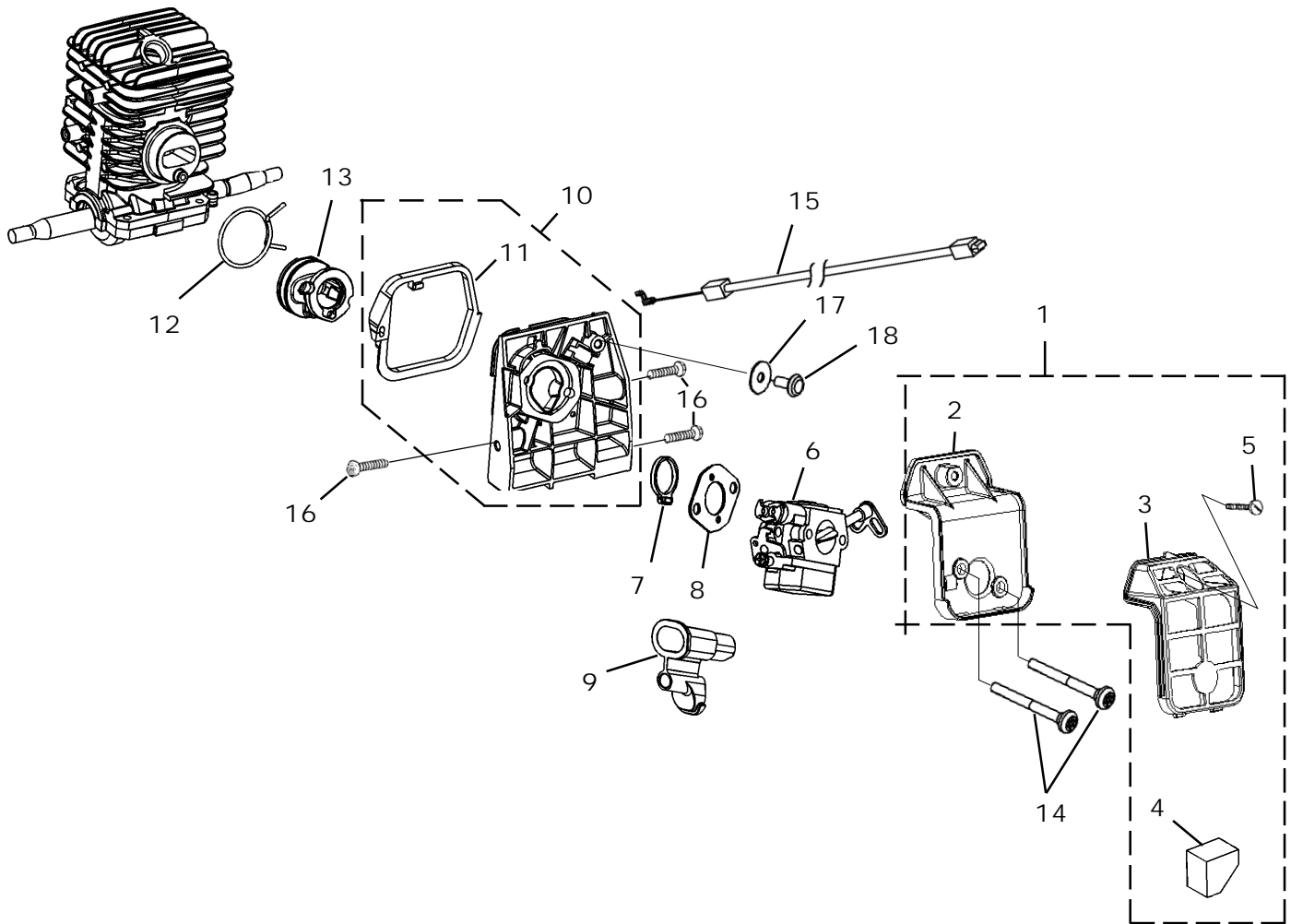
# ENGINE INTERNAL - OIL PUMP



NO.	PART NO.	DESCRIPTION	QTY.
1	•UP 07878	Short Block, Complete	1
2	•UP 08107	Cylinder Kit	1
	UP 04183	Gasket, Muffler (Not Shown)	1
3	•UP 06972	Piston & Pin	1
4	UP 04190	Piston Ring	1
5	UP 04051	Ring, Retaining	2
6	UP 04083	Screw, Cap-Socket Hd. (10-24 x 2")	4
7	UP 07882	Screw, Pan Hd., Plastite (8-32 x 5/8")	2
8	•UP 03118	Crankshaft & Rod Assy (33 & 38cc)	1
9	UP 04174	Bearing, Needle	1
10	UP 04047	Shaft Seal	2
11	•UP 04176	Bearing & Rubber Case	2
12	UP 04046	Bearing Case	2
13	UP 04087	Washer	4

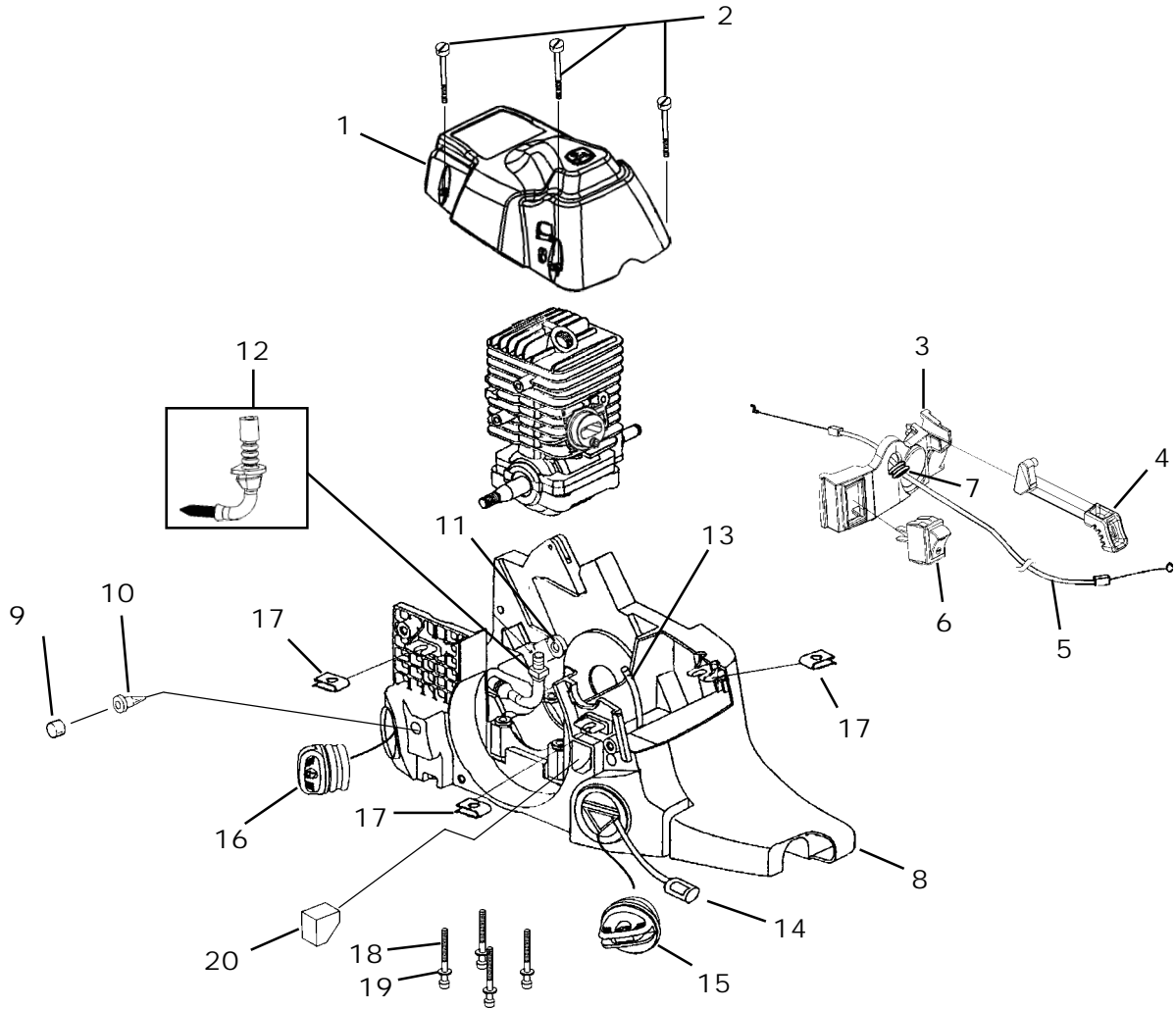
NO.	PART NO.	DESCRIPTION	QTY.
14	UP 05875	Spark Plug	1
15	UP 04172	Lower Crankcase (33 & 38cc)	1
16	•UP 06602	Oil Pump Kit	1
17	UP 04185	Grommet, Oil Outlet	1
18	UP 04188	Left Hand Worm	1
19	UP 04048	Oil Intake Tube w/Filter	1
7	UP 07882	Screw, Pan Hd., Plastite (8-32 x 5/8")	2

# CARBURETOR - AIR FILTER



NO.	PART NO.	DESCRIPTION	QTY.
1	•UP 08095	Air Filter Kit	1
2	UP 07897	Air Filter Base	1
3	UP 07899	Air Filter Cover	1
4	UP 04208	Pre Filter (In engine housing)	1
5	UP 04235	Screw-Slotted Pan Hd. (8-16 x 5/8")	1
6	•UP 07905	Carburetor Assy	1
7	UP 07903	Plate-Carburetor	1
8	UP 04094	Gasket-Carburetor	1
9	UP 07901	Grommet-Carburetor	1
10	•UP 07896	Adaptor-Carburetor	1
11	UP 07902	Seal-Carb Adaptor	1
12	UP 07900	Clamp-Wire	1
13	UP 07898	Intake Boot	1
14	UP 07904	Screw 10-32 x 1.75	2
15	UP 07868	Throttle Cable	1
16	UP 03900	Screw-Torx	3
17	UP 03867	Washer, Retaining	1
18	UP 04239	Screw	1

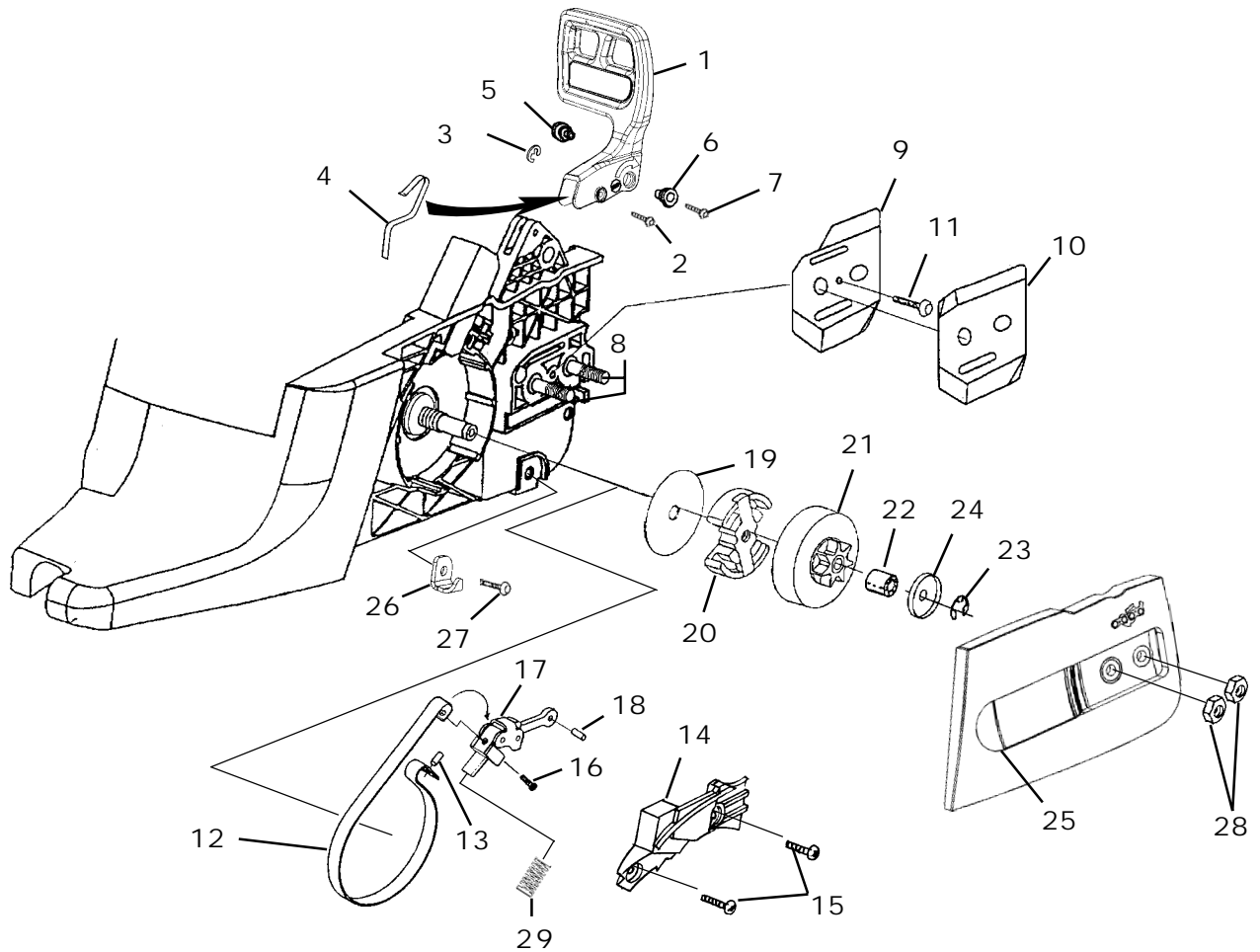
# ENGINE HOUSING - FUEL TANK - OIL TANK



NO.	PART NO.	DESCRIPTION	QTY.
1	• UP 08096	Cylinder Cover Kit w/safety decal	1
2	UP 04219	Screw-Slotted Pan Hd.	3
3	UP 07864	Control Panel	1
4	UP 07867	Rod, Choke	1
5	UP 07868	Throttle Cable	1
6	UP 04197	Switch, Rocker	1
7	UP 04215	Grommet - Split	2
8	• UP 07908	Chassis	1
9	UP 04205	Element, Filter (Bronze)	2
10	UP 04045	Duck Bill Valve	2
11	UP 04185	Oil Outlet Grommet	1
12	UP 04048	Oil Intake Tube w/Filter	1
13	UP 04211	Rubber Tubing (8 1/2")	1
14	UP 03871	Fuel Filter	1
15	UP 08087	Fuel Cap w/ Retainer	1
16	UP 08088	Oil Cap w/ Retainer	1
	UP 04180	Guide Bar Bolt (Not Shown)	2

NO.	PART NO.	DESCRIPTION	QTY.
17	UP 04221	Speed Nut ("U-Type")	3
18	UP 04083	Screw, Cap-Socket Hd. (10-24 x 2")	4
19	UP 04087	Washer	4
20	UP 04208	Pre Filter	1
	UP 07909	Decal Kit	

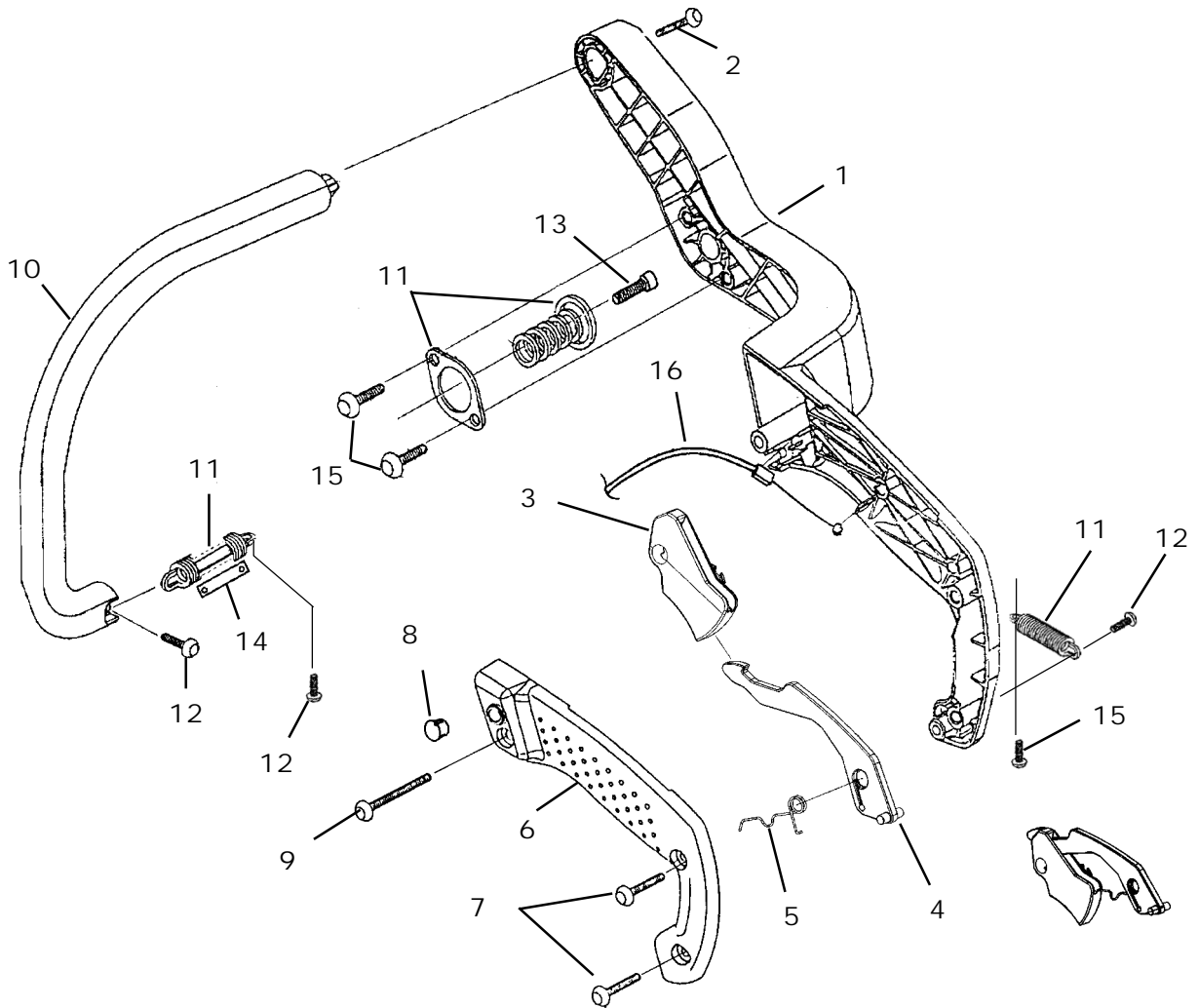
# CLUTCH - CHAIN BRAKE - DRIVE CASE COVER



NO.	PART NO.	DESCRIPTION	QTY.
1	•UP 07861	Hand Guard Kit	1
2	UP 04214	Hand Guard Actuating Pin	1
3	UP 04056	Retaining Ring	1
4	UP 07863	Spring, Handguard	1
5	UP 04202	Pivot, L.H.	1
6	UP 04201	Pivot, R.H.	1
7	UP 04240	Screw, Hex Socket Hd. (8-32 x 5/8")	1
8	UP 04180	Guide Bar Bolt	2
9	UP 04206	Plate, Guide Bar	1
10	UP 04085	Plate, Guide Bar	1
11	UP 04082	Screw, Thread Form (6-19 x 1/2")	1
12	•UP08097	Chain Brake Band Kit	1
13	UP 04181	Pin, Roll	1
14	UP 04309	Cover, Chain Brake	1
15	UP 04082	Screw, Pan Hd. (6-19 x 1/2")	2
16	UP 04239	Screw, Pan Hd. (8-16 x .320)	1
17	UP 04223	Chain Brake Link	1
18	UP 04090	Pin, Roll	1
19	UP 04182	Thrust Washer	1
20	UP 06727	Clutch & Hardware	1

NO.	PART NO.	DESCRIPTION	QTY.
21	•UP 06967	Sprocket, Drum (3/8 Pitch)	1
22	UP 04175	Bearing, Needle	1
23	UP 04228	Ring, Retaining	1
24	UP 04179	Washer, Cupped	1
25	UP 07875	Drive Case Cover	1
26	•UP 05634	Chain Catcher	1
27	UP 03897	Screw, Thread Form (10-24 x 1/2")	1
28	UP 04058	Nut, Hex	2
29	UP 04032	Spring, Compression	1
	UP 07909	Decal Kit	

# HANDLES



NO.	PART NO.	DESCRIPTION	QTY.
1	•UP 08098	Rear Handle Kit	1
2	UP 04234	Screw-Pan Hd. (12-14 x 1 1/2")	1
3	UP 07869	Trigger, Throttle	1
4	UP 07870	Throttle Lock Out	1
5	UP 07871	Torsion Spring	1
6	•UP 08111	Handle Cover Kit	1
7	UP 03900	Screw, Thread Form (10-14 x 3/4")	2
8	UP 07872	Plug-Plastic	1
9	UP 04238	Screw, Thread Form (10-14 x 1 3/8")	1
10	•UP 07862	Front Handle Kit	1
2	UP 04234	Screw-Pan Hd. (12-14 x 1 1/2")	1
11	•UP 08007	Isolator Kit	1
12	UP 04237	Screw, Truss Hd. (10-14 x 5/8")	3
13	UP 04233	Screw, Truss Hd. (10-24 x 5/8")	1
14	UP 04200	Limiter, Isolator	1
15	UP 03897	Screw, Thread Form (10-14 x 1/2")	3
16	UP 07868	Throttle Cable	1



ACCESSORIES

3/8 pitch (.375 Low Profile) .050 Gauge

Length of Bar	Guide Bar Part Number	Chain Part Number
14" .....	UP 08089 .....	UP08092 (91VG-052)
16" .....	UP 08090 .....	UP08093 (91VG-056)
16" .....	PT16371MD .....	H1N7256HD (35-MD50-56)
18" .....	UP 08091 .....	UP08094 (91VG-062)

---

**Sealant Silicon .....** PS24823  
**Rubber tubing (10') .....** UP06561  
**Wrench - Combination .....** UP08121  
**Digital Tachometer .....** 18416  
**Grease, Multi-purpose .....** 18453

**Compression Tester .....** 94194  
**Bit, Torx T27 .....** UP07160  
**Carry Case .....** UP08122  
**Carry Case Latch .....** UP08082  
**Bumper Spike Kit .....** UP06732  
**Adjusting Pin Kit .....** UP08000